

REFRESH THE LOOK OF YOUR RESTROOMS!

Our partition experts can help you create a fresh new look for your restrooms that your employees and patrons will love. We work with all of the top partition manufacturers including ASI Global, General, Bobrick, and Scranton Products. Give us a call to get your partition project started today.

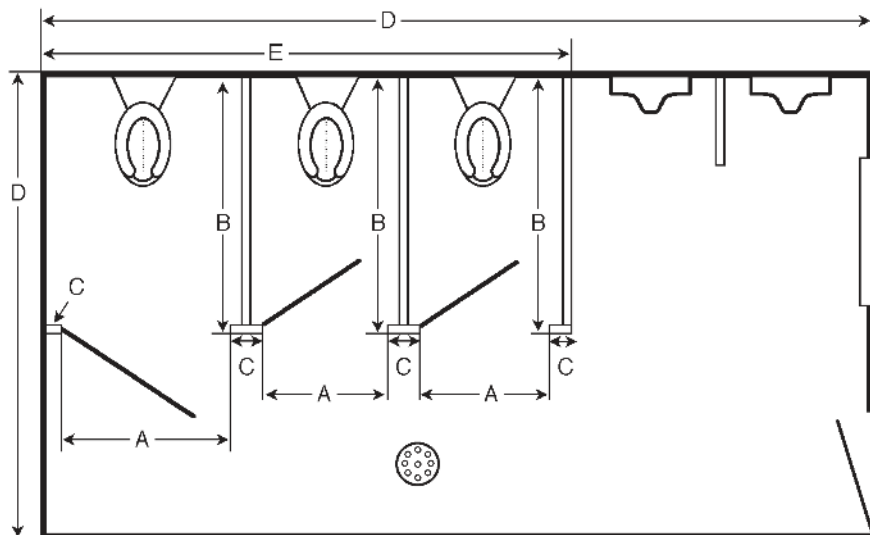


PARTITION ORDERING CHECK LIST

When ordering or quoting partitions, please submit the following information on a drawing of the layout of the room:

1. Material of new partitions: Stainless steel, solid plastic (HDPE), powder coated, steel, plastic laminate, black core phenolic, or color thru phenolic.
2. Color of new partitions
3. Specify headrail braced, ceiling hung, or floor supported
4. Finished wall dimensions of room
5. C x C dimensions between fixtures (if possible)
6. A.D.A. Requirements ??
7. Door swings
8. Location of obstructions (radiators, windows, floor drains, etc.)
9. If ceiling hung, must specify floor to ceiling height (f)

Below is An Example of What the Finished Picture Should Look Like:



A = Door Opening Dimensions
B = Wall To Front Of Pilaster Dimensions
C = All Pilaster Widths. Specify If Wall Hung.
D = Room Dimensions
E = Wall To End Of Partitions (Total Partition Width)
F = Floor To Ceiling Height (Not Illustrated)