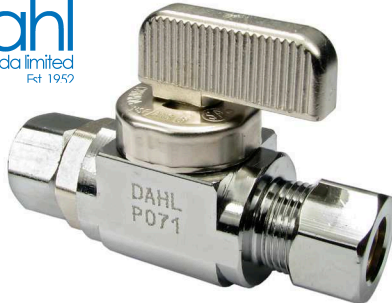


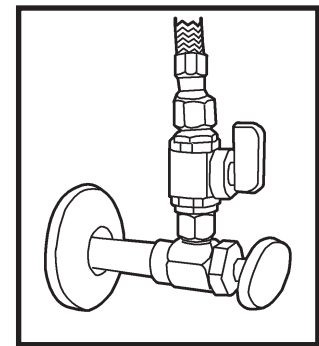
# ADD-A-STOP REPAIR VALVE



**#51407** 3/8"

**#56885** 1/2"

***This Heavy Duty  
Valve Piggybacks  
Existing 3/8"  
Compression Stops!***



***No Need to Replace  
Existing Stop!***

The **ADD-A-STOP REPAIR VALVE** is manufactured to stringent standards. Each design is put through a rigorous 250,000 cycle test before it is manufactured. Extremely close tolerances are maintained using computer controlled equipment to ensure each valve meets strict specifications. Plumbers who rely on **ADD-A-STOP REPAIR VALVES** don't worry about customer callbacks. Each valve is tested before it leaves the factory. Providing quality products is an Equiparts tradition.

## **STOPS WATER FAST!**

The easy to operate 1/4 turn shut off valve prevents leaking. The positive-force-turn stops the water flow instantly and completely.

## **BALL STYLE WON'T FREEZE UP !**

The ball style valve helps keep the ADD-A-STOP turning operation clean. Conventional screw style valves tend to collect deposits, corrode, and eventually freeze up or seize the mechanism.

## **NO PLASTIC WASHERS OR PACKING!**

Uses heat resistant, pliable "O" rings and seats that resist cracks and leaks.

## **LEAKING IS NOT A PROBLEM!**

The heavy duty brass construction insures durability. Plus, it won't break down when exposed to chlorine, chloramine and other water disinfecting chemicals.